

MULAWI NEMATULLAH (RTAF1719) – OBJ NOVA

FUNCTION:

- Mulawi NEMATULLAH is a TB Sub Commander under **PSR(sen)1** in Tala Wa Barfak District Baghlan.
- He directs and conducts attacks in Bamian AO, AI.

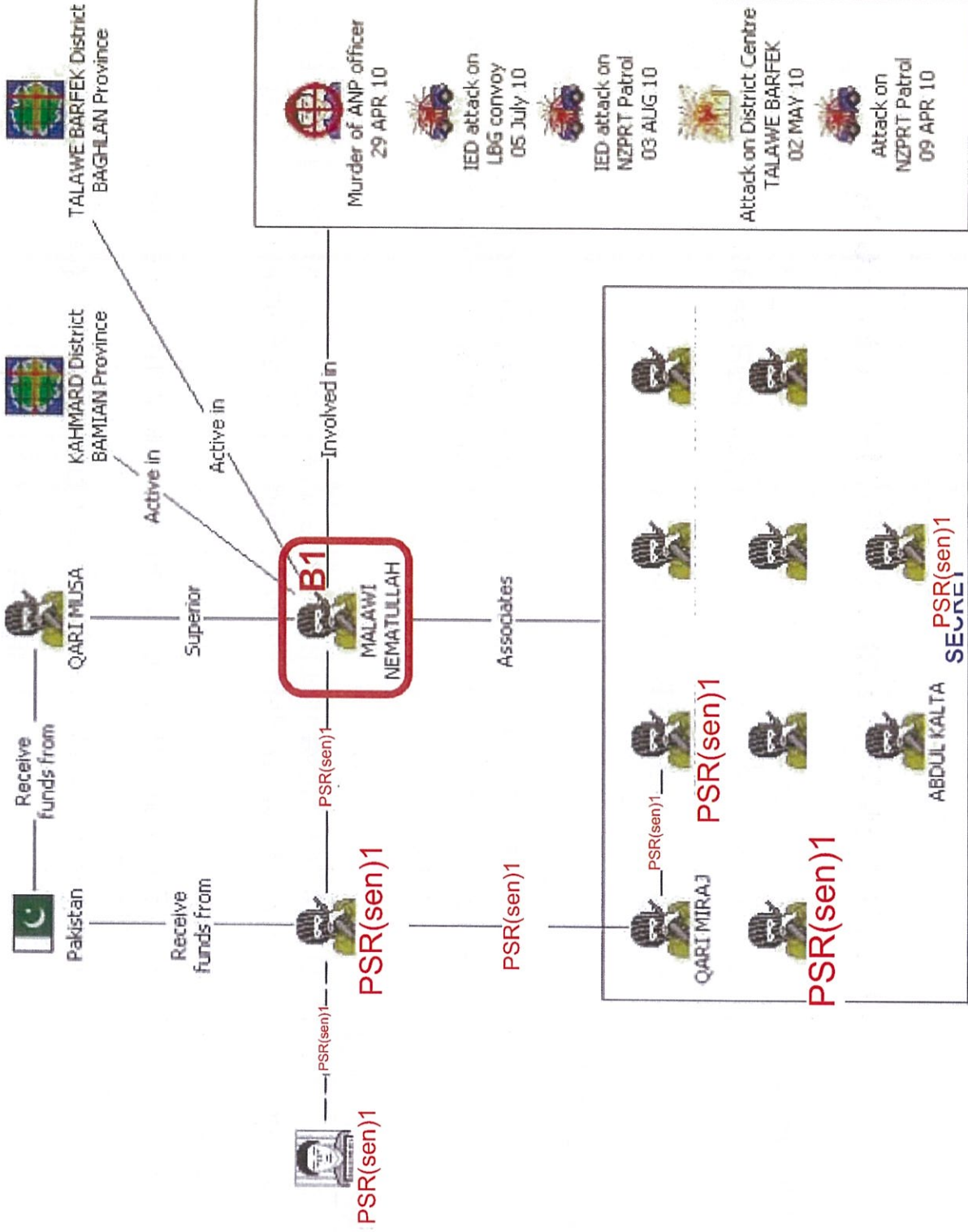
SIGNIFICANCE:

- Mulawi NEMATULLAH is a TB Sub Commander who leads attacks on CF and is involved in TB insurgent activity in the Kahmard district of Bamian Province, and Tala-wa Barfak district of Baglan.

EXPECTATION:

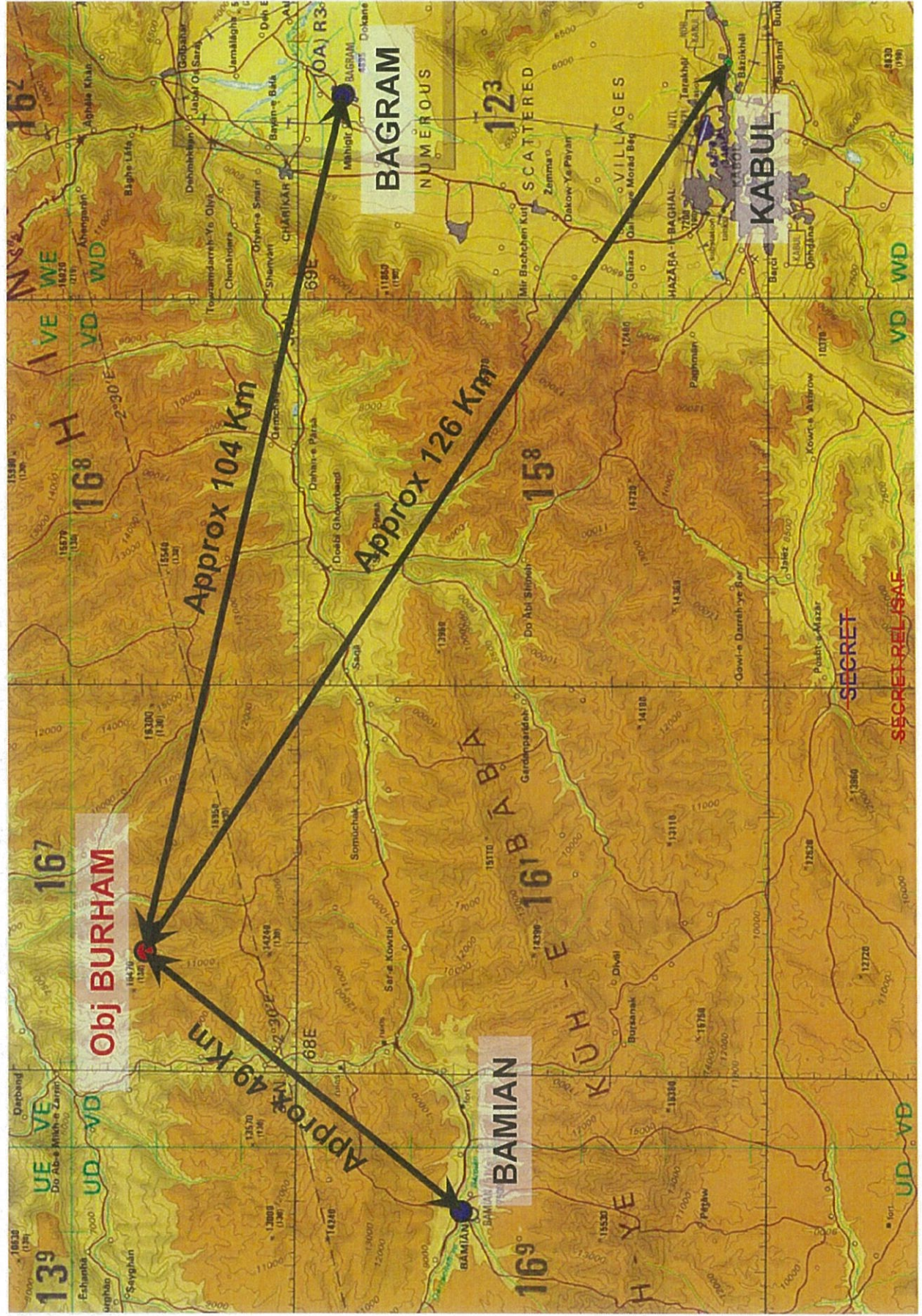
- Mulawi NEMATULLAH's removal would remove a key figure coordinating and carrying out insurgent activity in both Bamian Province and Tala Wa Barfak District, Baghlan Province.
- High impact on network
- Engaging Mulawi NEMATULLAH's would remove one of the key elements behind the IED attacks on ^{PSR(sen)1} and CF.
- This would improve public confidence in ANP and aid in rebuilding ANP morale in the area.

~~SECRET~~

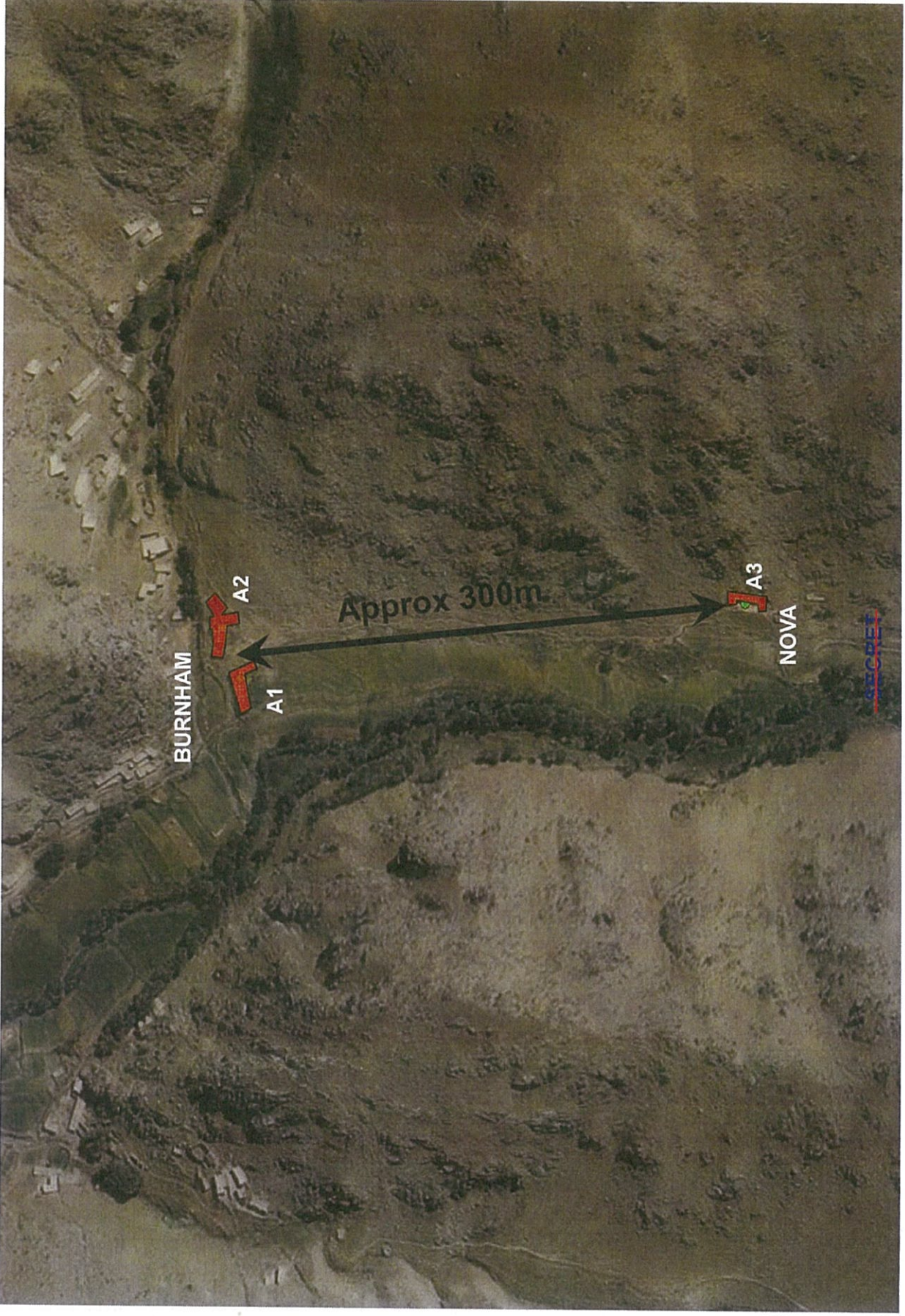


SECRET REL ISAF

RELATIVE POSITION TO KABUL



SECRET-RELISAF



SECRET-RELISAF

SECRET-RELISAF



SECRET-RELISAF

RESTRICTED

PSR(S)1

RESTRICTED

SITUATION S2 – COI
MULAWI NEMATULLAH (B1) - NOVA

What to be aware of

- NEMATULLAH was reportedly involved in the attack on the NZPRT patrol on 3 August.
- It is known that NEMATULLAH has access to RPG's and likely to PK MG's.
- NEMATULLAH is assessed at this time to be working in KALTA's INS cell.
- NEMATULLAH has been targeted before on 22 August, it is assessed that he may have learnt from this and will have made contingency plans.
- Yesterday at least 6 pers have been seen working IVO A3, often on the roof where they appear to have been drying something brown on tarps.
- A group of 5 x females were seen also seen just to the west of A3 and at least 3 children have been see at various times during the day.
- 1 x woman and 1 x child have been seen IVO A1 & 2, one other per was also seen.

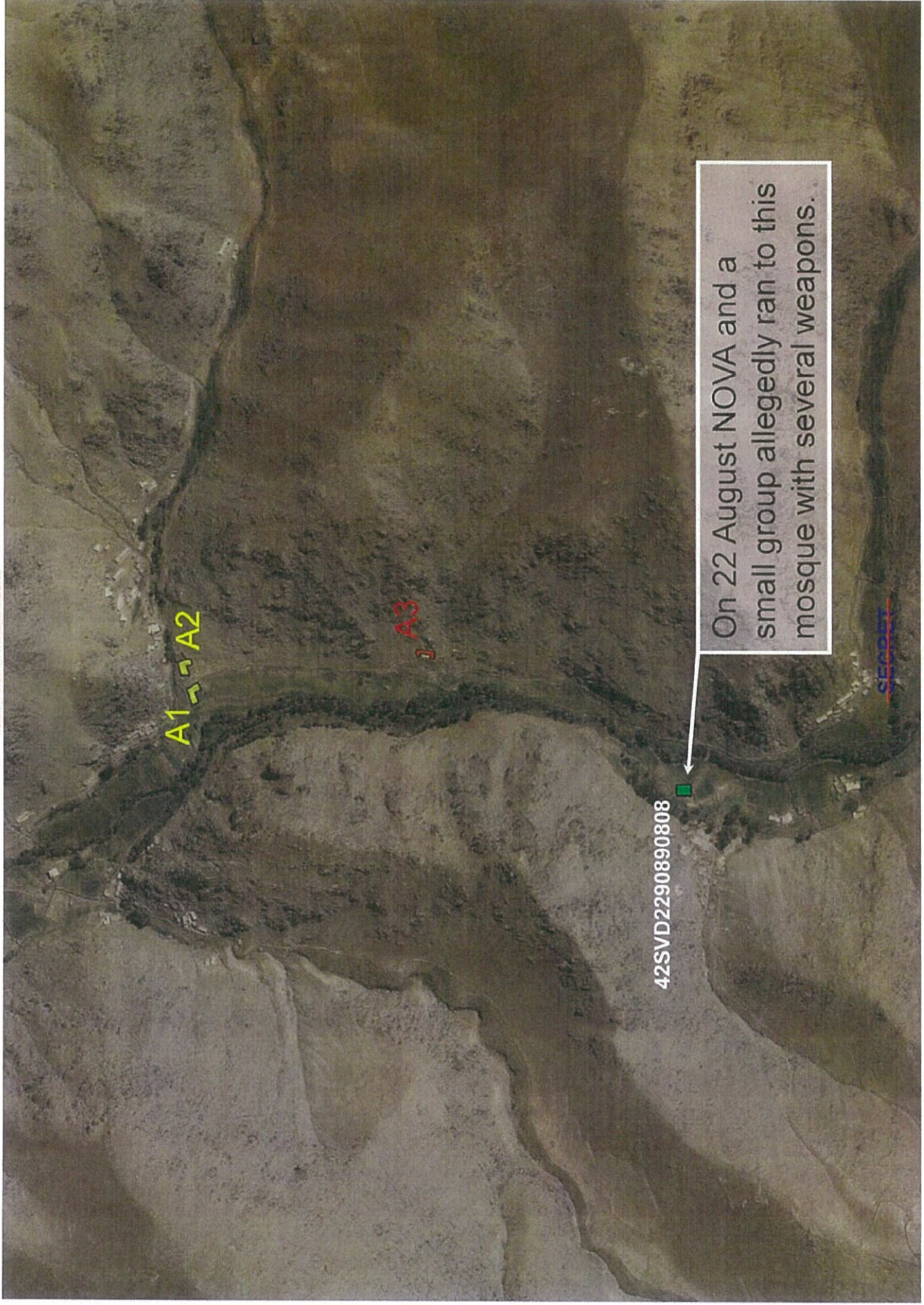
SECRET

SITUATION S2 – COI

MULAWI NEMATULLAH (B1) - NOVA

- A group of 5 x females were seen also seen just to the west of A3 and at least 3 children have been see at various times during the day.
- 1 x woman and 1 x child have been seen IVO A1 & 2, one other per was also seen.
- Reporting indicates that the TB in TIRGIRAN are loosing support form the locals, they believe that if the TB member conduct an attack they will be attacked back. This goes as far as some TB member refusing to go on patrol.
- As well as this NEMATULLAH at a meeting recently stated that he is considering going to PAKISTAN and never returning.
- The Ammunition cache destroyed on the 22nd seems to have been significant, the TB in TIRGIRAN have brought new weapons however have not been able to pay for them in full.
- NEMATULLAH and KALTA monitor the sky for ISR, when they detect it the hide in trees to the west of the valley between A3 and A1.

SECRET REL ISAF



On 22 August NOVA and a small group allegedly ran to this mosque with several weapons.

42SVD2290890808

SECRET REL ISAF

~~SECRET-RELISAF~~

SITUATION S2 – COA

ML COA -

NEMATULLAH will leave his building upon hearing helicopters, moving into the high ground/rocky terrain IOT evade FF.

MD COA -

NEMATULLAH along with local INS react on hearing helicopters and set a hasty ambush to attack FF as they debus helicopters or as they approach A1.

~~SECRET~~

~~SECRET-RELISAF~~

UNCLASSIFIED

WEATHER For BAMIAN 48hr forecast

Location for forecasts: Bamian

Weather:

Description:

Temperature:

Comfort Level:

Dew Point:

Wind Speed:


Wind Direction:

Humidity:

Visibility:

Chance of Rain:

Amount Rain:

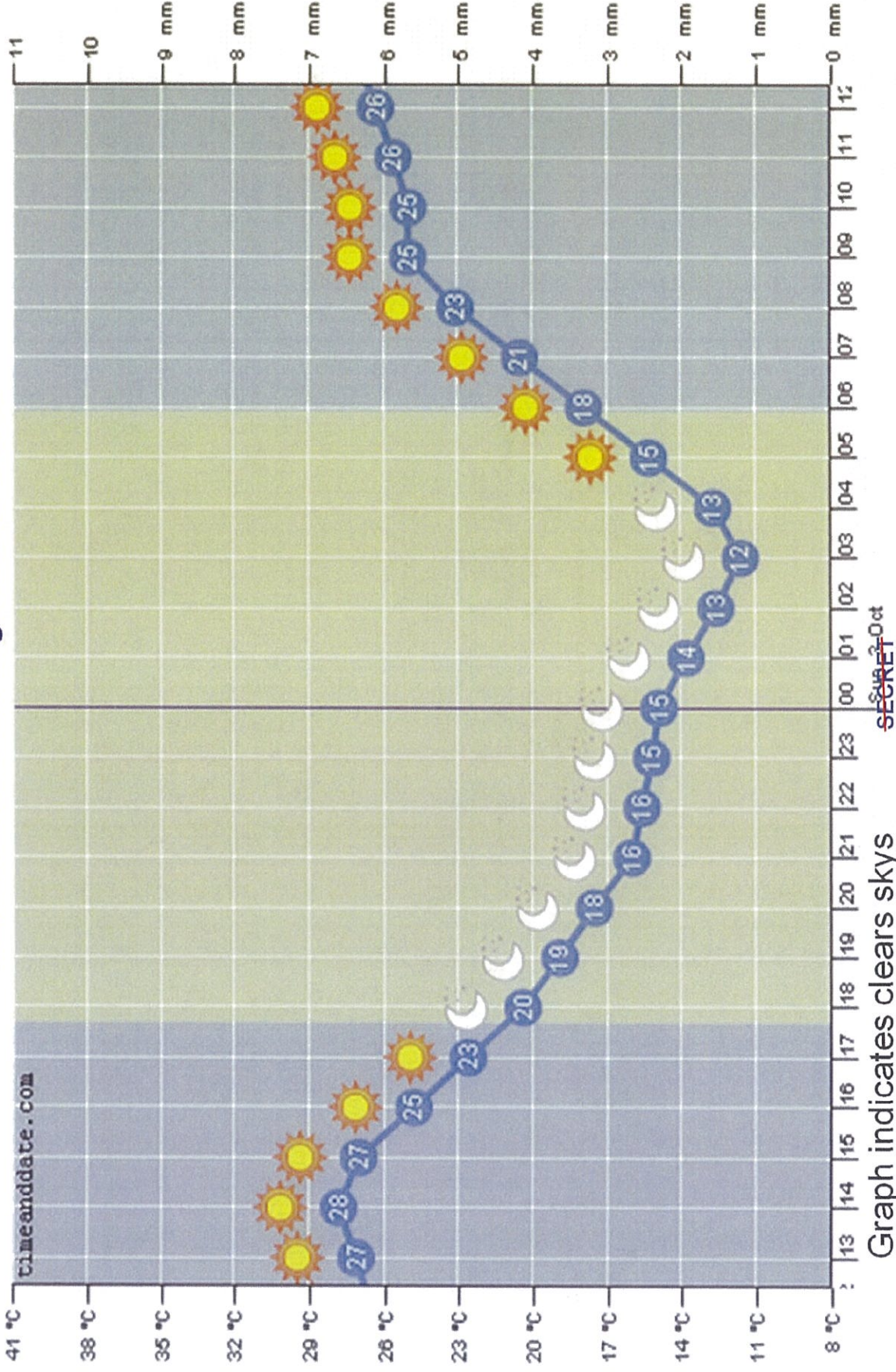
	Saturday	Sunday	Monday
Afternoon			
Evening			
Night			
Forecast next 48 hours			
Description:	Sunny. Mild.	Sunny. Mild.	Clear. Cool.
Temperature:	22 °C 22 °C -12 °C	18 °C 18 °C -18 °C	9 °C 8 °C -15 °C
Comfort Level:	22 °C 22 °C -12 °C	21 °C 21 °C -15 °C	5 °C 3 °C -15 °C
Dew Point:	20 km/h 20 km/h -12 °C	14 km/h 14 km/h -18 °C	10 km/h 10 km/h -15 °C
Wind Speed:	20 km/h 20 km/h -12 °C	21 km/h 21 km/h -15 °C	9 km/h 9 km/h 10 km/h
Wind Direction:	↓	↓	→
Humidity:	10%	8%	19%
Visibility:	81 km	85 km	64 km
Chance of Rain:	0%	0%	0%
Amount Rain:	-	-	-

SECRET

UNCLASSIFIED

UNCLASSIFIED

WEATHER for the night of 02 Oct 10



UNCLASSIFIED

UNCLASSIFIED

Astronomical Data for 02 Oct 10

First Light: 0523

Last Light: 1801

Moon Rise: 0027 (03 Oct)

Moon Set: 1350

39% of the Moon is illuminated

SECRET

UNCLASSIFIED